

---

## **Appendix A**

---

## Appendix A

### List of Applicants and Mooring Positions

Consent	Applicant	Mooring No.	Easting	Northing
U040564	M Coutts	M2279	2597638	5992889
U040590	G Kelly	M2294	2597162	5993415
U040624	Port Marlborough New Zealand Limited	M2324	2597366	5992972
U040624	Port Marlborough New Zealand Limited	M2325	2597188	5993270
U040624	Port Marlborough New Zealand Limited	M2326	2597266	5992788
U040624	Port Marlborough New Zealand Limited	M2327	2597310	5992954
U040624	Port Marlborough New Zealand Limited	M2328	2597143	5992975
U040624	Port Marlborough New Zealand Limited	M2329	2597601	5992729
U040624	DM McDonald	M2330	2597548	5992970
U040624	Port Marlborough New Zealand Limited	M2331	2597490	5992804
U040624	Port Marlborough New Zealand Limited	M2332	2597312	5993102
U040624	PR & WJ Vining	M2333	2597246	5993418
U040624	PR & WJ Vining	M2334	2597234	5993547
U040624	Port Marlborough New Zealand Limited	M2335	2597590	5992951
U040624	Port Marlborough New Zealand Limited	M2336	2597450	5992953
U040627	A & V Coutts	M2357	2597244	5992809
U040670	AL Crossen	M2383	2597168	5993563
U040683	J Bousquet	M2392	2597184	5993403
U040843	KA & SLR Denham	M2480	2597795	5993104
U040853	AL & M Partelow	M2483	2597617	5992769
U040856	EF & GE MacDonald	M2484	2597702	5993037
U040880	ML & HJ Neame	M2489	2597364	5992776
U040882	KJ, MJ&GK Rooney	M2488	2597549	5992730
U040889	Leo McKendry Family Trust	M2490	2597816	5993130
U040891	AL Windleburn	M2492	2597520	5993013
U040893	GJ&JM Blair	M2493	2597508	5992775
U040896	BG Musgrove & HF Family Trust	M2494	2597622	5992739
U040899	LD Battersby	M2495	2597198	5992953
U040903	CM Gamble	M2496	2597186	5992919
U040905	PG Adams	M2497	2597626	5993022
U040906	RA Frost	M2498	2597453	5992828
U040906	GJ Wilson	M2499	2597254	5993019
U040907	PN Bean	M2500	2597245	5992944
U040909	Port Marlborough New Zealand Limited	M2502	2597172	5993376
U040910	KC & AF Kent	M2503	2597421	5992751
U040915	Baxter Fishing Limited	M2504	2597790	5993148
U040919	MA & KJ Cooper	M2506	2597611	5992862
U040929	RJ Baxter & PW Broad	M2507	2597364	5992822
U040932	JA Walker	M2509	2597406	5993015
U040940	LR Hammond	M2513	2597599	5992925
U040941	J Haines	M2514	2597913	5993215
U040945	MP Lamb	M2515	2597398	5992809
U040947	P & M Phillips	M2516	2597415	5992868
U040952	SA & GB Riach	M2519	2597618	5992984
U040980	RL & SM Sheppard	M2522	2597538	5992820
U040985	B Milson	M2523	2597579	5992847
U040992	DP McDonald	M2525	2597175	5992901
U040996	PD Gascoigne	M2526	2597553	5992848
U041003	SM Webb	M2527	2597601	5992895
U041013	WJ Rogers	M2528	2597399	5992835
U041019	CF & VJ Young	M2530	2597287	5992972
U041027	MJ Rich	M2531	2597128	5993006
U041037	PB & LM McMath	M2532	2597356	5992931
U041038	Baxter Fishing Limited	M2533	2597443	5992856
U041057	JS Cane	M2535	2597198	5993043
U041062	D P Moran	M2536	2597604	5992756
U041074	MW & ME Walker	M2540	2597472	5992926
U041075	MA Pickering	M2541	2597129	5993488
U041079	RA Grindrod	M2542	2597120	5993395
U041082	PH & IM Thomas	M2544	2597198	5993064
U041083	GC Allan	M2545	2597661	5992815
U041100	TD & C Woolley	M2547	2597803	5993072
U041101	EF MacDonald	M2548	2597658	5992936
U041101	EF MacDonald	M2549	2597696	5993143
U041118	PJ Lewis	M2555	2597495	5992782
U041121	Port Marlborough New Zealand Limited	M2557	2597133	5993431
U041121	PR & WJ Vining	M2558	2597317	5993012
U041121	Port Marlborough New Zealand Limited	M2559	2597146	5993374

U041121	PR & WJ Vining	M2560	2597184	5992995
U041121	PR & WJ Vining	M2561	2597231	5993101
U041121	PR & WJ Vining	M2562	2597250	5992982
U041121	PR & WJ Vining	M2563	2597150	5993280
U041121	PR & WJ Vining	M2564	2597268	5993086
U041121	PR & WJ Vining	M2565	2597401	5992923
U041121	PR & WJ Vining	M2566	2597228	5992957
U041126	PR & WJ Vining	M2567	2597613	5992808
U041132	DD Houston & JM Levett	M2570	2597403	5992978
U041142	RFH Rutland	M2573	2597467	5992769
U041149	DG Gillies	M2574	2597256	5992879
U041159	GC Cornish	M2577	2597362	5992857
U041164	JR Baldwin	M2579	2597603	5992779
U041166	RA Storer	M2580	2597666	5992764
U041169	Baxter Fishing Limited	M2582	2597145	5993306
U041172	GR & JM Ganley Family Trust	M2581	2597279	5992842
U041182	DIA Cameron	M2583	2597675	5992858
U041188	LJ Gledhill	M2584	2597116	5993299
U041196	DW Baxter	M2585	2597324	5992866
U041201	JC Dymock	M2587	2597770	5993081
U041208	IL Baldick	M2588	2597143	5992940
U041209	RH Hambleton	M2589	2597528	5992750
U041224	T Rose	M2591	2597845	5993156
U041246	BJ & BA Turner	M2592	2597652	5992858
U041249	BA Walker	M2593	2597725	5993106
U041268	B Stanley	M2598	2597436	5992749
U041275	OF Yemm	M2601	2597640	5992756
U041277	QG Taylor Family Trust	M2603	2597738	5993162
U041277	QG Taylor Family Trust	M2604	2597247	5992780
U041280	HR Gratton	M2667	2597292	5992936
U041282	JR Cooper & Sons Ltd	M2605	2597579	5993019
U041282	JR Cooper & Sons Ltd	M2606	2597412	5993053
U041283	Oxbow Ltd & Latour Trustees (Jersey) Ltd	M2607	2597346	5992779
U041283	Oxbow Ltd & Latour Trustees (Jersey) Ltd	M2608	2597337	5992743
U041283	Oxbow Ltd & Latour Trustees (Jersey) Ltd	M2609	2597212	5992871
U041283	Oxbow Ltd & Latour Trustees (Jersey) Ltd	M2610	2597307	5992815
U041283	Oxbow Ltd & Latour Trustees (Jersey) Ltd	M2611	2597456	5993002
U041283	Oxbow Ltd & Latour Trustees (Jersey) Ltd	M2612	2597260	5992917
U041284	P Jorgensen & Sons Ltd	M2613	2597297	5992891
U041284	P Jorgensen & Sons Ltd	M2614	2597228	5993039
U041292	AP Jessop	M2617	2597673	5992822
U041301	JR Hillgrove	M2621	2597682	5992879
U041306	MJ & JV Kennedy	M2622	2597573	5992741
U041309	GR & CK Lloyd	M2625	2597119	5993530
U041324	Pearl Trust	M2627	2597188	5992876
U041325	DW Baxter	M2628	2597278	5992796
U041326	WF Sanders	M2629	2597690	5993013
U041328	MBJ Kerr	M2631	2597629	5992765
U041329	MJ Mills	M2632	2597539	5992871
U041331	DJ Vile	M2633	2597179	5993453
U041339	AJ Wilson	M2635	2597162	5993017
U041340	RF & SG Paine	M2636	2597224	5992839
U041341	WJ & MY Mansell	M2637	2597358	5992745
U041345	GM & CI Wilkins	M2638	2597561	5992803
U041347	OL Murch	M2639	2597635	5992839
U041349	AJ & KB Stevenson	M2640	2597640	5992792
U041353	PB Dempsey	M2642	2597382	5993100
U041355	40 degrees South Boat building and Cruising Club Inc	M2643	2597213	5993441
U041357	BD & CM Knight	M2645	2597471	5992760
U041361	JRE Blackmore	M2682	2597888	5993151
U041362	D Loncar	M2648	2597657	5992786
U041364	GS Olsen	M2647	2597583	5992762
U041370	D Kirk	M2650	2597509	5992833
U041373	DW Baxter	M2651	2597399	5992744
U041374	Fairwater Trust (Trustees: TW & RJ Parsons)	M2652	2597666	5992896
U041376	IM Love Family Trust (Trustees: VT Ede & P Radich)	M2655	2597259	5992830
U041379	WS Penno	M2656	2597716	5992986
U041385	Baxter Fishing Limited	M2657	2597383	5992759
U041389	DA Mahony	M2661	2597553	5992920
U041391	GJ Roberts	M2663	2597329	5992835
U041393	DL Harris	M2664	2597641	5992924
U041394	EB Roberts	M2665	2597667	5992975
U041396	WJ & JK Hanna	M2671	2597638	5992948
U041409	LJ Stevenson	M2676	2597406	5992768
U041412	CJ Rowe	M2677	2597528	59922801

U041424	WJ Richards	M2679	2597643	5992728
U041443	ML Davidson	M2684	2597269	5993051
U041461	JW Partridge	M2687	2597433	5992898
U041486	CC Rycroft	M2689	2597663	5992880
U041488	DL Stebbings	M2690	2597757	5993056
U041533	RC & SM Voice	M2695	2597448	5993047
U041535	DR & EZ Glennie	M2696	2597926	5993163
U041651	CJ Watson	M2708	2597493	5992964
U041807	GJ Dasler	M2721	2597227	5993026
U041831	CH Green	M2729	2597589	5992815
U041832	Mark Family Trust	M2728	2597929	5993250
U041841	PK Curd	M2730	2597334	5992956
U041851	WH Zoutenbier & S Annan	M2731	2597531	5992939
U041960	RT Turner	M2745	2597352	5992999
U050034	TM Starkey	M2750	2597476	5992828
U050198	Baxter Fishing Limited	M2758	2597758	5993105
U050207	BP & LN Willemsen	M2759	2597102	5993321
U050430	RH Mitchell	M2775	2597134	5993336
U050470	DC Smith	M2779	2597699	5993087
U050489	AC Douthett	M2782	2597152	5993469
U050847	NE Wilson	M2826	2597208	5992913
U051167	GD Baynes	M2860	2597464	5992810
U060049	LB & K Turner	M2868	2597656	5993081
U060116	JH Elkington	M2871	2597667	5992744
U060117	JH Elkington	M2872	2597620	5992924
U060118	JH Elkington	M2873	2597663	5992772
U060194	GR O'Donnell	M2883	2597573	5993108
U060587	NW Unwin	M2911	2597300	5993036
U060722	RJC & LG Mounsey	M2914	2597455	5993073
U060961	DC Smith	M2933	2597740	5993034
U060967	V Climo	M2934	2597665	5993037
U060968	PE Williams	M2935	2597735	5993073
U060992	IT Taylor	M2936	2597642	5992811
U070078	BE Chapman-Cohen	M2963	2597349	5992887
U070087	P F Sugrue	M2964	2597430	5993132
U070087	P F Sugrue	M2965	2597501	5993078
U070087	P F Sugrue	M2966	2597641	5993150
U070134	CGS Gorman	M2968	2597332	5992899
U070135	D & FA Loncar	M2969	2597353	5993043
U070293	BA Fuller	M2978	2597654	5993011
U070310	RA Foster	M2980	2597396	5992884
U070343	MD Tierney	M2984	2597274	5993123
U070370	L Galloway	M2986	2597688	5993048
U070377	BL Woods	M2987	2597947	5993308
U070939	MJL & AF Barnett	M3022	2597744	5993219

---

## **Appendix B**

---

## Appendix B

### Specific Mooring Detail

Table is colour coded to indicate which moorings do and do not comply with the minimum mooring guidelines. The key is as follows: -

- **Red** = Mooring design does not comply with minimum block weights or tackle length
- **Blue** = Mooring is to be designed by a Chartered Professional Engineer,
- **Black** = Mooring complies with minimum guidelines.

Consent	Mooring Number	Vessel size (m)	Tackle Length (m)	Block size (Tonne)	MLWS (m)	MHWS (m)	Eastings	Northing	Swing Circle (m)	Harbour License
	U040564	M2279	11	13	2	8	2597638	5992889	22.15	✓
	U040590	M2294	12	22	3	8.5	2597162	5993415	32.49	✓
	U040624	M2324	12	26	2	9.3	2597366	5992972	36.46	✓
	U040624	M2325	12	20	2	8.8	2597188	5993270	28.49	✓
	U040624	M2326	9.7	17	2	3.3	2597266	5992788	26.46	✓
	U040624	M2327	11.3	21	2	9.3	2597310	5992954	30.36	✓
	U040624	M2328	12	21	4	6.3	2597143	5992975	32.18	✓
	U040624	M2329	8	9	1	3.3	2597601	5992729	16.55	✓
	U040624	M2330	11	21	4	8.8	2597548	5992970	30.29	✓
	U040624	M2331	9	10	1	3.3	2597490	5992804	18.6	✓
	U040624	M2332	10.3	32	2	9.8	2597312	5993102	40.91	✓
	U040624	M2333	19.2	31	4	11.8	2597246	5993418	48.06	✓
	U040624	M2334	15.3	30	3	12.8	2597234	5993547	42.66	✓
	U040624	M2335	9.2	19	4	7.8	2597590	5992951	26.74	✓
	U040624	M2336	10	19	4	9.3	2597450	5992953	26.83	✓
	U040627	M2357	6	7	1.2	2	2597244	5992809	12.83	✓
	U040670	M2383	13.5	18	1.3	5	2597168	5993563	30.92	✓
	U040683	M2392	8	33	1.4	20.5	2597184	5993403	34.24	✓
	U040843	M2480	7.6	14	1	6	2597795	5993104	20.47	✓
	U040853	M2483	7.6	12	2	2.4	2597617	5992769	19.44	✓
	U040856	M2484	9	12	1.25	6.5	2597702	5993037	19.39	✓
	U040880	M2489	9.1	14	1	2.6	2597364	5992776	22.94	✓
	U040882	M2488	6	13	0.25	4.9	2597549	5992730	18.23	✓
	U040889	M2490	9	18	1	9	2597816	5993130	24.86	✓
	U040891	M2492	9	18	3	9	2597520	5993013	24.86	✓
	U040893	M2493	6	13.5	0.46	1.6	2597508	5992775	19.45	✓
	U040896	M2494	11	9	2	5.4	2597622	5992739	18.54	✓
	U040899	M2495	12	12.7	1	9	2597198	5992953	21.43	✓
	U040903	M2496	12	23	3	6	2597186	5992919	34.33	✓
	U040905	M2497	12	22	2	10.4	2597626	5993022	31.64	✓
	U040906	M2498	9.7	13	2	4	2597453	5992828	22.21	✓
	U040906	M2499	12.1	26	2	10.4	2597254	5993019	36.14	✓
	U040907	M2500	12	26	2	10	2597245	5992944	36.2	✓
	U040909	M2502	13.7	17.6	2.4	7.2	2597172	5993376	29.97	✓
	U040910	M2503	7.7	8.6	0.5	3.6	2597421	5992751	15.72	✓
	U040915	M2504	11.5	23	2	10.8	2597790	5993148	32.06	✓
	U040919	M2506	7.2	16	2	4.4	2597611	5992862	22.71	✓
	U040929	M2507	11	16	3	6.4	2597364	5992822	25.87	✓
	U040932	M2509	14	31	2	10.4	2597406	5993015	43.37	✓
	U040940	M2513	11	9.6	1	5.1	2597599	5992925	19.42	✓
	U040941	M2514	7.9	25.5	2	9.5	2597913	5993215	31.35	✓
	U040945	M2515	9	10.5	2	6	2597398	5992809	17.94	✓
	U040947	M2516	10.0	13	1	4.5	2597415	5992868	21.36	✓
	U040952	M2519	11	20	2	7.1	2597618	5992984	29.87	✓
	U040980	M2522	10	14	1.7	2.5	2597538	5992820	23.85	✓
	U040985	M2523	11.5	15.5	2	4.6	2597579	592847	26.44	✓
	U040992	M2525	12	23	2	7.6	2597175	5992901	33.87	✓
	U040996	M2526	7	7	0.5	2.8	2597553	5992848	13.61	✓
	U041003	M2527	9.7	12	1.2	5.7	2597601	5992895	20.51	✓
	U041013	M2528	10.6	18	2	3.4	2597399	5992835	28.36	✓
	U041019	M2530	12	25	1.3	7.6	2597287	5992972	35.97	✓
	U041027	M2531	7.6	24	2	7	2597128	5993006	27.56	✓
	U041037	M2532	13.2	21	1	10	2597356	5992931	31.92	✓
	U041038	M2533	9	12	2	4.2	2597443	5992856	20.41	✓
	U041057	M2535	13.5	21	2	8	2597198	5993043	33.11	✓



U041062	M2536	8	12	0.5	2.8	4.3	2597604	5992756	16.27	✓
U041074	M2540	12	19	2	6	7.6	2597472	5992926	30.18	✓
U041075	M2541	10.6	13	0.96	8.7	9.8	2597129	5993488	20.68	✓
U041079	M2542	10.8	16	2	3.6	5	2597120	5993395	26.49	✓
U041082	M2544	12	16.5	2	8.1	9.2	2597198	5993064	26.64	✓
U041083	M2545	7.3	10	2	4	5.8	2597661	5992815	16.66	✓
U041100	M2547	8.5	12.5	2	4	6	2597803	5993072	20.5	✓
U041101	M2548	9	13	1	3.4	5	2597658	5992936	21.67	✓
U041101	M2549	12	29	4	12.4	14	2597696	5993143	38.44	✓
U041118	M2555	9	10	2	4	5	2597495	5992782	18.36	✓
U041121	M2557	10.6	21	2	6.4	8	2597133	5993431	30.75	✓
U041121	M2558	11.5	22	2	6.4	8	2597317	5993012	32.69	✓
U041121	M2559	12	22	2	7.6	9	2597146	5993374	32.82	✓
U041121	M2560	11	24	2	6.4	8	2597184	5992995	34.26	✓
U041121	M2561	10	16	2	6.5	8	2597231	5993101	24.83	✓
U041121	M2562	12	24	2	6.4	8	2597250	5992982	35.26	✓
U041121	M2563	10.3	24	2	9.4	11	2597150	5993280	32.58	✓
U041121	M2564	12	22	2	6.4	8	2597268	5993086	33.19	✓
U041121	M2565	13.4	20.5	3	6	7.5	2597401	5992923	33.14	✓
U041121	M2566	13.7	19	2	6.4	8	2597228	5992957	31.76	✓
U041126	M2567	10	11.5	1	0.5	2	2597613	5992808	21.5	✓
U041132	M2570	14.1	15	2	5.6	7	2597403	5992978	28.2	✓
U041142	M2573	11.5	12	2	3	5	2597467	5992769	19.93	✓
U041149	M2574	12.1	20	2	6.4	8	2597256	5992879	31.2	✓
U041159	M2577	12	17	2	5.6	7	2597362	5992857	28.21	✓
U041164	M2579	6	10.8	0.5	1	3	2597603	5992779	16.78	✓
U041166	M2580	7.6	7.5	1.4	1	2.5	2597666	5992764	15.08	✓
U041169	M2582	9.5	12	2	3	5	2597145	5993306	21.23	✓
U041172	M2581	11	15	2.7	11.4	13	2597279	5992842	21.3	✓
U041182	M2583	7.6	11	2	2.6	4	2597675	5992858	16.79	✓
U041188	M2584	14.5	14	3	8.4	10	2597116	5993299	26.05	✓
U041196	M2585	12	24.5	2	5.9	7.5	2597324	5992866	35.89	✓
U041201	M2587	7.5	16.8	1	6	8	2597770	5993081	23.37	✓
U041208	M2588	9.1	20	2	9	10.5	2597143	5992940	27.2	✓
U041209	M2589	8.8	6.5	2	2.2	2.8	2597528	5992750	15.07	✓
U041224	M2591	10.6	22.4	1	8.86	10.36	2597845	5993156	31.38	✓
U041246	M2592	11	11.5	2	3.6	5	2597652	5992858	22.07	✓
U041249	M2593	10	19.5	1	10	11.5	2597726	5993106	27.02	✓
U041268	M2598	6	11.6	0.187	1.3	3	2597435	5992749	17.57	✓
U041275	M2601	7.2	8	2	2	3	2597640	5992756	15.05	✓
U041277	M2603	12	27	2	11	12.5	2597738	5993162	36.87	✓
U041277	M2604	10.6	13	2	2.5	4	2597247	5992780	18.84	✓
U041280	M2667	10	18	2	6	8	2597292	5992936	27.13	✓
U041282	M2605	10.6	20	2	6	7.5	2597579	5993019	29.82	✓
U041282	M2606	13.5	20	2	6	7.5	2597412	5993053	32.72	✓
U041283	M2607	7.5	12	1.5	1.4	3	2597346	5992779	24.97	✓
U041283	M2608	6	11	1	1.4	3	2597337	5992743	16.96	✓
U041283	M2609	10.6	18	1	4	5.5	2597212	5992871	28.25	✓
U041283	M2610	15	23	2	3.5	5	2597307	5992815	37.8	✓
U041283	M2611	12	30	2	9	10.5	2597456	5993002	40.77	✓
U041283	M2612	12	20	2	4.6	6	2597260	5992917	31.57	✓
U041284	M2613	12	19.5	3	5.5	7	2597297	5992891	30.84	✓
U041284	M2614	14.5	23.5	3	7	8.5	2597228	5993039	37.08	✓
U041292	M2617	8	8	2	3.2	3.7	2597673	5992822	15.53	✓
U041301	M2621	7	13	1	2.5	8	2597682	5992879	19.84	✓
U041306	M2622	6	7	2	2.7	4	2597573	5992741	12.64	✓
U041309	M2625	8	12	1	4	6	2597119	5993530	19.47	✓
U041324	M2627	7.3	11	2	6.4	9.3	2597188	5992876	18.28	✓
U041325	M2628	7.3	13.5	0.75	3	4.2	2597278	5992796	20.56	✓
U041326	M2629	9.1	20	2	16.6	18	2597690	5993013	20.96	✓
U041328	M2631	6	9	0.5	2.5	4.5	2597629	5992765	14.77	✓
U041329	M2632	10	18	2	3.8	5.4	2597539	5992871	27.69	✓
U041331	M2633	12.8	30	2	11	13	2597179	5993453	40.9	✓
U041339	M2635	10.65	11.5	2	6.1	6.65	2597162	5993017	20.69	✓
U041340	M2636	10	18	1.2	3	5.5	2597224	5992839	27.82	✓
U041341	M2637	8.6	12	1.37	2	3.5	2597358	5992745	20.5	✓
U041345	M2638	7	11	2	2.6	4	2597561	5992803	17.79	✓
U041347	M2639	8.8	15.6	2	3.5	5	2597635	5992839	24.1	✓
U041349	M2640	9	7	2	0.8	3.5	2597640	5992792	15.99	✓
U041353	M2642	12.8	18	3	8.6	10	2597382	5993100	28.87	✓
U041355	M2643	14.6	39	4	18	20	2582653	6011120	49.45	✓
U041357	M2645	6.5	8	1	2	4	2597471	5992760	14.35	✓
U041361	M2682	7.3	11	2	3.5	5.5	2597888	5993151	17.88	✓
U041362	M2648	7	10	1	2.6	4	2597657	5992786	16.77	✓

U041364	M2647	8	14.5	1	3	4.5	2597583	5992762	22.18	✓
U041370	M2650	7.5	14	0.6	3	4.5	2597509	5992833	21.27	✓
U041373	M2651	6	8.5	1	1	3	2597399	5992744	14.48	✓
U041374	M2652	6.7	15	1	3	5	2597666	5992896	21.49	✓
U041376	M2655	11	11	3	2.6	4	2597259	5992830	20.22	✓
U041379	M2656	9.1	12	2	5	8	2597716	5992986	21.97	✓
U041385	M2657	6	6	3	1.5	2.5	2597385	5992755	11.91	✓
U041389	M2661	12	18.5	2.5	5.9	7.5	2597553	5992920	29.69	✓
U041391	M2663	12	18	1	8	9	2597329	5992835	28.36	✓
U041393	M2664	9.1	18.5	0.5	-	5.7	2597641	5992924	20.5	✓
U041394	M2665	10.9	16.5	2	5.5	6.5	2597667	5992975	26.62	✓
U041396	M2671	6.7	15	2	6	7.5	2597638	5992948	20.65	✓
U041409	M2676	7.6	8	1	2	4	2597406	5992768	15.45	✓
U041412	M2677	8.5	10	2	1.7	3.2	2597528	59922801	18.42	✓
U041424	M2679	7	5.4	2	-	2.7	2597643	5992728	12.4	✓
U041443	M2684	12.3	20	2.45	10.4	12	2597269	5993051	29.67	*
U041461	M2687	9	18.6	2	7.5	9.1	2597433	5992898	26.23	✓
U041486	M2689	7.6	11.5	2	5	6.6	2597663	5992880	18.18	✓
U041488	M2690	8	15.6	2	3	4.5	2597757	5993056	23.39	✓
U041533	M2695	13.7	21	2.5	10	12.5	2597448	5993047	32.42	✓
U041535	M2696	6	11	4.5	4.5	5	2597926	5993163	16.24	✓
U041651	M2708	12.8	15	2	5.5	7	2597493	5992964	26.94	✓
U041807	M2721	11.2	22	2	-	10	2597227	5993026	31.2	✓
U041831	M2729	11.2	14	1	4.4	6	2597589	5992815	24.64	✓
U041832	M2728	6	20	1.5	6	7.6	2597929	5993250	25.22	✓
U041841	M2730	9.1	20	1	9.6	11	2597334	5992956	26.8	✓
U041851	M2731	10.5	27	1.5	14.5	16	2597531	5992939	33.58	✓
U041960	M2745	13	23	2	9.6	11	2597352	5992999	34.12	✓
U050034	M2750	10.6	12	2	3	5	2597476	5992828	22.33	✓
U050198	M2758	6.2	19	2.4	6.4	8	2597758	5993105	24.26	✓
U050207	M2759	13	17.6	4	6	8	2597102	5993321	29.71	✓
U050430	M2775	9	19	2	8	10	2597134	5993336	26.45	✓
U050470	M2779	9	20	2	9	-	2597699	5993087	27.1	✓
U050489	M2782	9	16	2.3	11	12.6	2597152	5993469	21.07	✓
U050847	M2826	12	28.5	2	8	9.5	2597208	5992913	39.49	✓
U051167	M2860	12	10	1.360	3	4.6	2597464	5992810	21.68	✓
U060049	M2868	12	20	3	8.9	10.5	2597656	5993081	30.15	✓
U060116	M2871	6	6.5	1	0.5	2	2597667	5992744	12.5	✓
U060117	M2872	12	14	3	5.4	7	2597620	5992924	25.11	✓
U060118	M2873	30.48	6.5	3	1.4	3	2597663	5992772	36.91	✓
U060194	M2883	17	25	4	11.2	12.7	2597573	5993108	39.59	*
U060587	M2911	13.7	20	4	10	-	2597300	5993036	31.29	✓
U060722	M2914	14.7	21	3	10.4	12	2597455	5993073	33.21	*
U060961	M2933	6	9	1.3	0.5	1.5	2597740	5993034	15	✓
U060967	M2934	9.14	17	3	4.5	6.5	2597665	5993037	25.66	*
U060968	M2935	8.5	17	2	6.5	8	2597735	5993073	24.1	✓
U060992	M2936	9	11	2	2.76	6.32	2597642	5992811	19.76	✓
U070078	M2963	6	18	1	6.5	8	2597349	5992887	22.97	✓
U070087	M2964	12	25	4	11	12.54	2597430	5993132	34.68	*
U070087	M2965	16	25	4	11	12.5	2597501	5993078	38.68	*
U070087	M2966	16	25	4	11	12.5	2597641	5993150	38.68	*
U070134	M2968	12	14	2	5.9	7.6	2597332	5992899	24.91	✓
U070135	M2969	14	29	2.5	9.6	11	2597353	5993043	41.53	✓
U070293	M2978	12	22	2	5	7	2597654	5993011	33.53	✓
U070310	M2980	11	16	2	6.8	8	2597396	5992884	25.87	✓
U070343	M2984	9	21	1	9.4	11	2597274	5993123	28.02	✓
U070370	M2986	10	19	2	7.6	9	2597688	5993048	27.62	✓
U070377	M2987	13	23	4	10.4	12	2597947	5993308	33.76	✓
U070939	M3022	10	18	4	11	12.5	2597744	5993219	24.62	*



---

## Appendix C

---

Appendix C  
Aerial Photographs

Waikawa Bay Moorings



This material has been released by Council. It may not be accurate. Users of the material do so at their own risk.



Imagery dates from the year at the conclusion of the summer through which the aerial photography was captured





### Waikawa Bay Moorings



This material has been released by Council. It may not be accurate. Users of the material do so at their own risk.



Imagery dates from the year at the conclusion of the summer through which the aerial photography was captured



---

## Appendix D

---



Appendix D  
GIS of Mooring Swing Circles

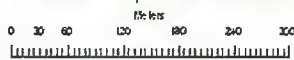
Waikawa Bay Moorings - Swing Circles



This material has been released by Council. It may not be accurate. Users of the material do so at their own risk.

Modified: 21 December 2007

1:6,319

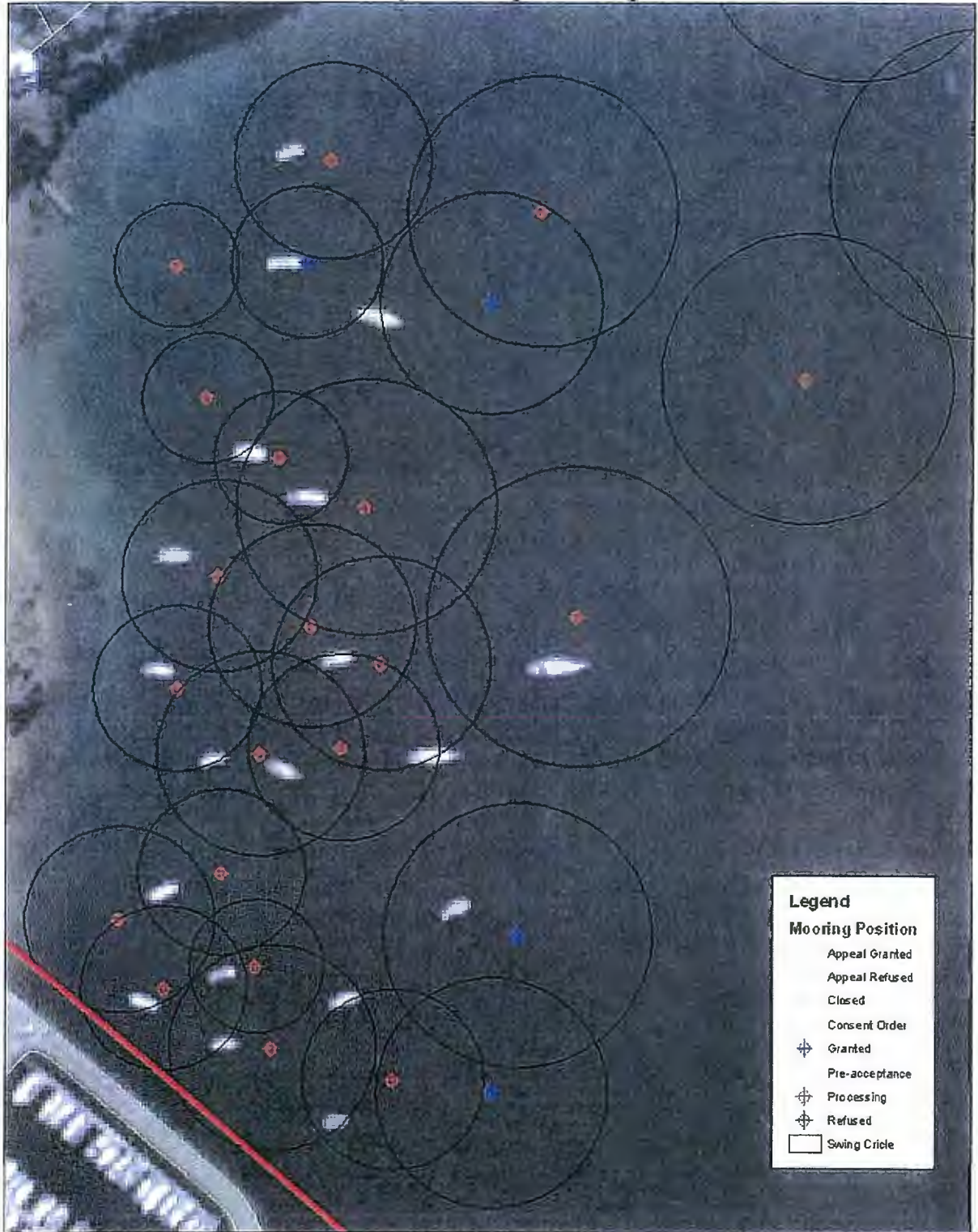


Imagery dates from the year at the conclusion of the summer through which the aerial photography was captured





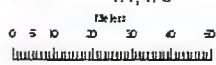
Waikawa Bay Moorings - Swing Circles



This material has been released by Council. It may not be accurate. Users of the material do so at their own risk.

Modified: 21 December 2007

1:1,479



Imagery dates from the year at the conclusion of the summer through which the aerial photography was captured





Waikawa Bay Moorings - Swing Circles - South & Eastern Cluster



This material has been released by Council. It may not be accurate. Users of the material do so at their own risk.

Modified: 21 December 2007

1:3,705



Imagery dates from the year at the conclusion of the summer through which the aerial photography was captured



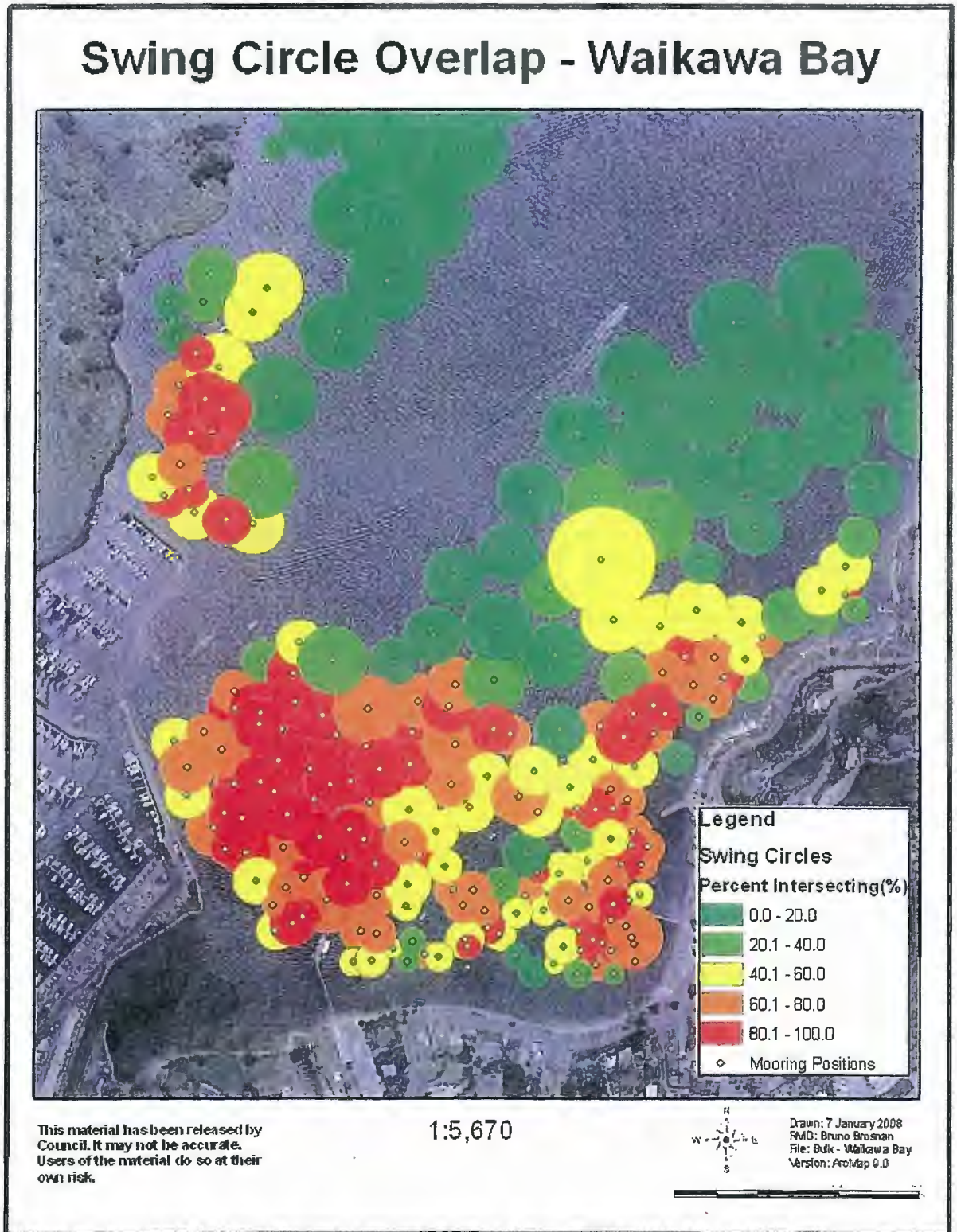
---

## Appendix E

---

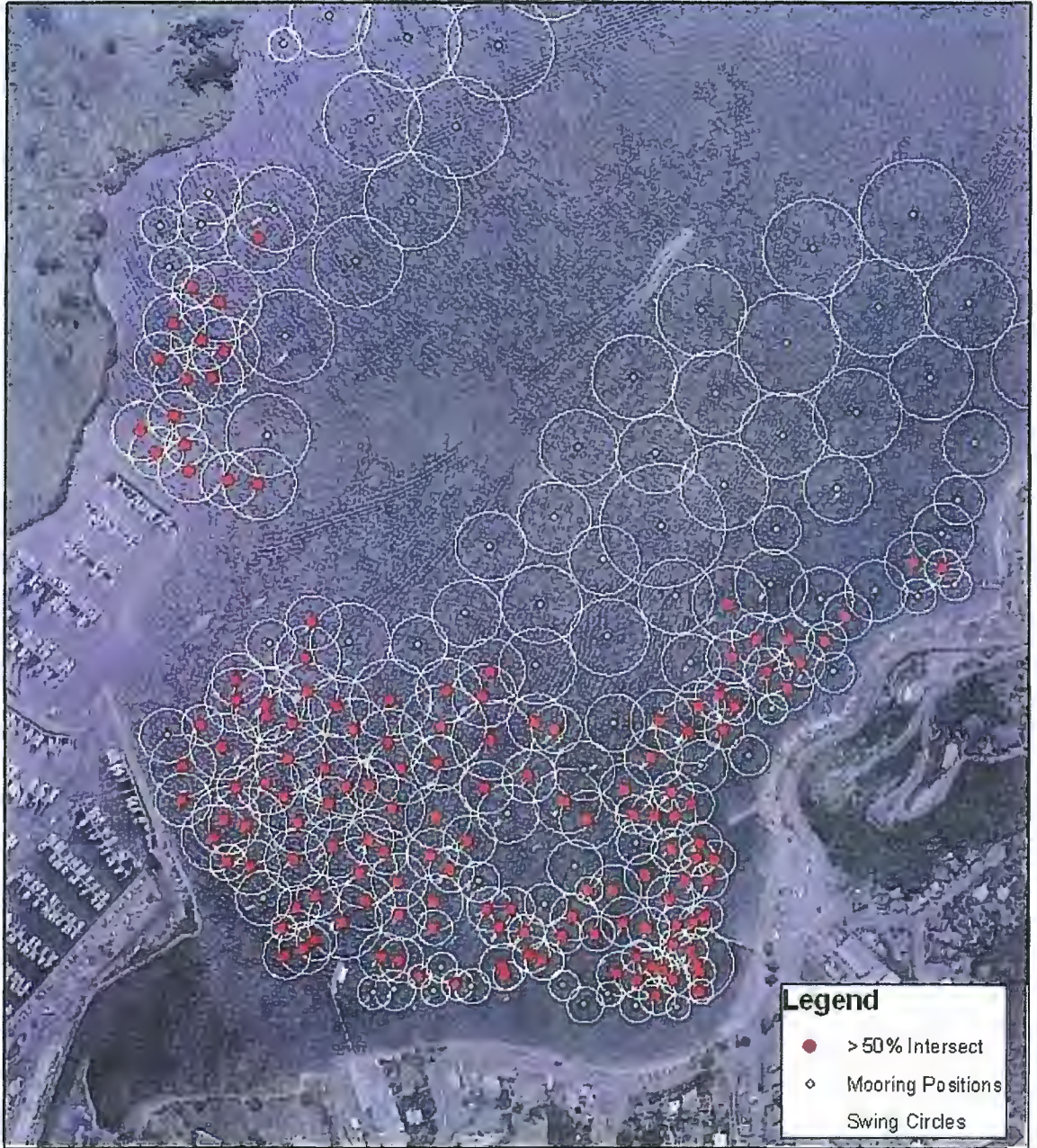


Appendix E  
Swing circle overlap information for Waikawa Bay Moorings





### Swing Circle overlap of 50% or greater, Waikawa Bay



This material has been released by Council. It may not be accurate. Users of the material do so at their own risk.

1:5,670



Drawn: 7 January 2008  
FMID: Bruno Brosnan  
File: Bulk - Waikawa Bay  
Version: ArcMap 9.0



---

## **Appendix F**

---

## Appendix F

### Minimum mooring construction guidelines

#### Construction Specifications

Mooring Class	Vessel Length	Block Weight	Ground Chain Ø in mm	Mooring Chain Ø in mm	Rope Ø in mm
Class A	Up to 6 metres	1 tonne	24	16	20
Class B	6 – 12 metres	2 tonnes	32	20	20
Class C	12 – 16 metres	3 tonnes	38	20	24
Class D	16 – 18 metres	4 tonnes	38	20	28
Class E	> 18 metres	Vessel specific design by a Chartered Professional Engineer with experience in mooring structures.			

Ø = diameter

- Shallow water moorings in a depth of 5 metres or less to be designed to suit with respect to these guidelines.
- Total length of the chain to be the depth of water at mean high water springs with 1/3 of this chain to be ground chain. see note 1
- Length of the rope to be equal to the depth of water at mean high water springs. see note 1
- All shackles must be welded.
- Swivels may be used at the Provider's discretion, but where these are used, the size of the swivel must be commensurate with that of the chain.
- Anodes may be used at the Provider's discretion.
- All mooring blocks shall be designed by a Chartered Professional Engineer with expertise in mooring structures and be made to those specifications.
- Similar metals to be used throughout.
- Moorings of different design and/or manufacture will be considered on a case by case basis. As a minimum, such moorings must be supported by appropriate Chartered Professional Engineer design drawings and certification.

#### Survey requirements

- Moorings must be recovered to the surface for the purpose of inspection.
- All tackle to be replaced at 20% wear.
- Moorings must be inspected at intervals not exceeding 2 years.

Note 1

The total length of the mooring tackle must be equal to twice the water depth at mean high water springs at the mooring site. Generally, moorings are made up of a combination of chain and rope totalling twice the water depth.

These guidelines are not intended as a substitute for the need in each case to address the requirements of the specific location, conditions and vessel. There are specialists and mooring providers who are able to give particular advice in a specific situation.

**Risk cannot be completely eliminated in the mooring of a vessel.**

**Council does not accept any responsibility for any loss or damage which may occur as a consequence of the use of these guidelines or otherwise.**

---

## **Appendix G**

---

## Appendix G

### Recommended conditions of consent for swing moorings in Waikawa Bay

In the event that granting full or partial consent is considered, the following conditions may be appropriate:

1. That this coastal permit shall expire on 31 May 2027.
2. That the consent holder shall provide confirmation within 30 days of this consent being granted that the mooring is positioned in accordance with the application at grid reference (WGS84) Latitude XX degrees XX.XXX' S and Longitude XXX degrees XX.XXX' E (New Zealand Map Grid - Easting XXXXXXXX, Northing XXXXXXXX) received by Council on XX and held on Council file UXXXXXXX.
3. That the mooring block shall at all times be positioned at the grid reference provided above unless approval has been obtained from Council to relocate the mooring.
4. When Council considers there to be a conflict resulting from the mooring being inaccurately positioned the consent holder will be required to relocate the mooring at the consent holder's cost.
5. That one vessel only of maximum length of XX.0 metres shall use this mooring at any one time.
6. That a mooring block no lighter than x tonnes shall be used to moor the vessel to the seabed.
7. That the total length of the mooring tackle must be equal to twice the water depth at Mean Low Water Springs at the mooring site.
8. That the number 'XXXX', the name of the consent holder and the maximum size of the vessel shall at all times be displayed on the approved mooring marker buoy.
9. That the consent holder shall at all times maintain all parts of the structure in a state that is safe and secure for the mooring of the vessel as set out in Condition 5 of this coastal permit.
10. That the mooring be raised to the surface for the purposes of inspection. That when the mooring is lifted and returned to the seabed, the mooring block shall be lowered to the seabed by crane or winch.
11. The holder of this coastal permit may not transfer the whole or any part of the holder's interest in this permit to any other person.
12. The consent holder shall provide Council with a Mooring Inspection Record at intervals not exceeding two years following the date of this consent. This report will show that the mooring has been inspected and maintained to a satisfactory standard and confirm the position of the mooring block.
13. In accordance with Section 128 of the Resource Management Act 1991 the Marlborough District Council may review Conditions 2 and 5 for the purpose of ensuring that adverse navigational safety and adverse effects on the environment are avoided, remedied or mitigated. This review may be conducted during the months of March and September for the duration of this consent.
14. The consent holder shall remove the swing mooring at the consent holder's cost at expiry of the resource consent or sooner if the swing mooring is no longer required or the consent is cancelled.

**Important Notes**

1. This coastal permit authorises the occupation of the seabed by the mooring block at the grid reference provided in the application. Council will not take any responsibility in relation to disputes arising from inaccurate grid references.
2. That pursuant to section 36 of the Resource Management Act 1991 and the Marlborough District Council schedule of fees the consent holder will be responsible for all actual and reasonable costs associated with the monitoring of these resource consents.
3. Any interest in this permit maybe transferred to any other person. The transfer will have no affect until the Council has receive written notice of that transfer in accordance with section 135 of the Act.

\\bbr....O:\Resourceconsent\2004\040501-040750\U040624-WaikawaBay-Bulk-Moorings-BBr-headconsent-rc.doc 12/02/2008 12:54:00



---

## Appendix H

---

SUBMISSIONS PERTAINING TO THE BULK  
APPLICATION

Key to categories:

Category	Count	Description
A	10	Consented Mooring, Inner Waikawa Bay
B	19	Applicant – NW Extension Area
C	10	Applicant – NE Extension outside Marina Zone
D	130	Applicant – Outside Marina Extension Areas
E	29	Applicant – Marina Zone
	<b>188</b>	<b>Applications in Total</b>

Category	Consent Application Number	Mooring Number	Applicant Name	Easting	Northing
A	930863	154	Milliken, SJ	2597197	5993308
A	930913	157	Griffiths, Cleve Victor	2597219	5993266
A	930916	158	Walker, Peter & Neil Judith Marie	2597227	5993316
A	980846	389	Strack, Philip James	2597218	5993518
A	990649	584	Baxter Fishing Limited	2597806	5993262
A	879	986	Reeves, Dallas Leon	2597160	5993531
A	10025	1203	Blackmore, Aaron William	2597914	5993180
A	10026	1204	Wledge Family Trust	2597885	5993186
A	970989	1316	Cooper, John Richard	2597500	5993020
A	40410	2219	Edwards, Samuel Timothy Hamilton & Lisa Emma	2597243	5993714
B	40590	2294	Kelly, Geoffrey	2597162	5993415
B	40624	2325	Port Marlborough New Zealand Limited	2597188	5993270
B	40624	2333	Vining, Philip Richard & Wendy Jane	2597246	5993418
B	40624	2334	Vining, Philip Richard & Wendy Jane	2597234	5993547
B	40670	2383	Crossen, Adrienne Lesley	2597168	5993563
B	40683	2392	Bousquet, Julie	2597184	5993403
B	40909	2502	Port Marlborough New Zealand Limited	2597172	5993376
B	41075	2541	Pickering, Mildred Ann	2597129	5993488
B	41079	2542	Grindrod, Ronald Alfred	2597120	5993395
B	41121	2557	Port Marlborough New Zealand Limited	2597133	5993431
B	41121	2559	Vining, Philip Richard & Wendy Jane	2597146	5993374
B	41121	2563	Vining, Philip Richard & Wendy Jane	2597150	5993280
B	41169	2582	Baxter Fishing Limited	2597145	5993306
B	41188	2584	Gledhill, Lawrence John	2597116	5993299
B	41309	2625	Lloyd, Graham Robert & Christine Kay	2597119	5993530
B	41331	2633	Vile, David John	2597179	5993453
B	41355	2643	40° South Boat Building & Cruising Club Inc	2597213	5993441
B	50207	2759	Willemsen, Barry Paul & Lorraine Nancy	2597102	5993321
B	50430	2775	Mitchell, Robin Henry	2597134	5993336
B	50489	2782	Douthett, Anthony Charles	2597152	5993469
C	40624	2332	Port Marlborough New Zealand Limited	2597312	5993102
C	41037	2532	McMath, Philip Beattie & Lorraine Mary	2597356	5992931
C	41121	2558	Vining, Philip Richard & Wendy Jane	2597317	5993012
C	41284	2613	P Jorgensen & Sons Limited	2597297	5992891
C	41841	2730	Curd, Paul Kingsley	2597334	5992956
C	41960	2745	Turuer, Roger Theodore	2597352	5992999
C	60587	2911	Unwin, Noel Williams	2597300	5993036
C	70078	2963	Chapman-Cohen, Bruce Edward	2597349	5992887
C	70134	2968	Gorman, Christopher George Stuart	2597332	5992899
C	70343	2984	Tierney, Michael Desmond	2597274	5993123
D	40564	2279	Coutts, Michael	2597638	5992889
D	40624	2324	Port Marlborough New Zealand Limited	2597366	5992972
D	40624	2326	Port Marlborough New Zealand Limited	2597266	5992788
D	40624	2329	Port Marlborough New Zealand Limited	2597601	5992729
D	40624	2330	McDonald, David Murray	2597548	5992970
D	40624	2331	Port Marlborough New Zealand Limited	2597490	5992804
D	40624	2335	Port Marlborough New Zealand Limited	2597590	5992951
D	40624	2336	Port Marlborough New Zealand Limited	2597450	5992953
D	40627	2357	Coutts, Arthur James Forbes and Vivien Irene	2597244	5992809
D	40843	2480	Denham, Keith Alan and Seque, Layonie Rama	2597795	5993104
D	40853	2483	Partelow, Anthony Leonard & Moyra Marguerite	2597617	5992769
D	40856	2484	MacDonal, Euan Forsaith & Gyllian Elspeth	2597702	5993037
D	40882	2488	Rooney, Kenneth J, Margery Jean & Gregory K	2597549	5992730
D	40880	2489	Neame, Malcolm Lindsay & Helen Judith	2597364	5992776
D	40889	2490	Leo McKendry Family Trust	2597816	5993130
D	40891	2492	Windleburn, Alistair Lance	2597520	5993013
D	40893	2493	Blair, Garfield James and Jane Margaret	2597508	5992775
D	40896	2494	Brian George & Helen Frances Musgrove Family Trust	2597622	5992739
D	40905	2497	Adams, Peter Graham	2597626	5993022

D	40906	2498	Frost, Rachel Ann	2597453	5992828
D	40910	2503	Kent, Kenneth Christopher and Alison Fay	2597421	5992751
D	40915	2504	Baxter Fishing Limited	2597790	5993148
D	40919	2506	Cooper, Mark Andrew and Kimberley Jane	2597611	5992862
D	40929	2507	Baxter, Rosemary Joy and Broad, Peter Williams	2597364	5992822
D	40932	2509	Walker, John Andrew	2597406	5993015
D	40940	2513	Hammond, Larry Reginald	2597599	5992925
D	40941	2514	Haines, James (Davidson)	2597913	5993215
D	40945	2515	Lamb, Murray Philip	2597398	5992809
D	40947	2516	Phillips, Paul & Michelle	2597415	5992868
D	40952	2519	Riach, Shirley Alice & Graham Bruce	2597618	5992984
D	40980	2522	Sheppar, Ronald Lindsay and Susan Marie	2597538	5992820
D	40985	2523	Milson, Bruce (Radley)	2597579	5992847
D	40996	2526	Gascoigne, Peter Douglas	2597553	5992848
D	41003	2527	Webb, Stephen Michael	2597601	5992895
D	41013	2528	Rogers, William James	2597399	5992835
D	41038	2533	Baxter Fishing Limited	2597443	5992856
D	41062	2536	Moran, David Paul	2597604	5992756
D	41074	2540	Walker, Mark William & Mary Elizabeth	2597472	5992926
D	41083	2545	Allan, Graeme Charles	2597661	5992815
D	41100	2547	Woolley, Trevor David and Carolyn	2597803	5993072
D	41101	2548	MacDonald, Euan Forsaith	2597658	5992936
D	41101	2549	MacDonald, Euan Forsaith	2597696	5993143
D	41118	2555	Lewis, Peter James	2597495	5992782
D	41121	2565	Vining, Philip Richard & Wendy Jane	2597401	5992923
D	41126	2567	Vining, Philip Richard & Wendy Jane	2597613	5992808
D	41132	2570	Houston, David Duncan	2597403	5992978
D	41142	2573	Rutland, Richard Francis Henry	2597467	5992769
D	41159	2577	Cornish, Gregory Charles	2597362	5992857
D	41164	2579	Baldwin, John Roger	2597603	5992779
D	41166	2580	Storer, Ross Anthony	2597666	5992764
D	41172	2581	Garth Rawlinson & Janine Margarite Ganley Family Trust	2597279	5992842
D	41182	2583	Cameron, Donald Ian Albert	2597675	5992858
D	41196	2585	Baxter, Donald William	2597324	5992866
D	41201	2587	Dymock, John Charles	2597770	5993081
D	41209	2589	Hambleton, Roger Hugh	2597528	5992750
D	41224	2591	Rose, Timothy	2597845	5993156
D	41246	1481	Turner, Barry John and Barbara Ann	2597652	5992858
D	41249	2593	Walker, Brett Andrew	2597725	5993106
D	41268	2598	Stanley, Brian	2597436	5992749
D	41275	2601	Yemm, Owen Frank	2597640	5992756
D	41277	2603	Quinton George Taylor Family Trust	2597738	5993162
D	41277	2604	Quinton George Taylor Family Trust	2597247	5992780
D	41282	2606	J R Cooper & Sons Limited	2597412	5993053
D	41283	2607	Oxbow Limited & Latour Trustees (Jersey) Limited	2597346	5992779
D	41283	2608	Oxbow Limited & Latour Trustees (Jersey) Limited	2597337	5992743
D	41283	2610	Oxbow Limited & Latour Trustees (Jersey) Limited	2597307	5992815
D	41283	2611	Oxbow Limited & Latour Trustees (Jersey) Limited	2597456	5993002
D	41292	2617	Jessop, Anthony Paul	2597673	5992822
D	41301	2621	Hillsgrove, Jason Raymond	2597682	5992879
D	41306	2622	Kennedy, Michael John & Jane Vivienne	2597573	5992741
D	41325	2628	Baxter, Donald William	2597278	5992796
D	41326	2629	Sanders, William Frederick	2597690	5993013
D	41328	2631	Kerr, Mathew Brian John	2597629	5992765
D	41329	2632	Mills, Murray John	2597539	5992871
D	41341	2637	Mansell, William John & Margaret Yvonne	2597358	5992745
D	41345	2638	Wilkins, George Maurice and Carol Ida	2597561	5992803
D	41347	2639	Murch, Owen Leslie	2597635	5992839
D	41349	2640	Stevenson, Andrew James & Kim Barrie Saunders	2597640	5992792
D	41353	2642	Dempsey, Philip Barry	2597382	5993100
D	41357	2645	Knight, Bruce David & Carol Mary	2597471	5992760
D	41364	2647	Olsen, Geoffrey Scott	2597583	5992762
D	41362	2648	Loncar, Drago and Felicity Anne (Mathews)	2597657	5992786
D	41370	2650	Kirk, Derek	2597509	5992833
D	41373	2651	Baxter, Donald William	2597399	5992744
D	41374	2652	Fairwater Trust (Trustees Parsons, Thomas William and Rosemary Jane) (Parsons)	2597666	5992896
D	41376	2655	I M Love Family Trust (Trustees Ede, Vennessa Turama and Radich, Peter Joseph)	2597259	5992830
D	41379	2656	Penno, William Stanley	2597716	5992986
D	41385	2657	Baxter Fishing Limited	2597383	5992759
D	41389	2661	Mahony, David Albert	2597553	5992920
D	41391	2663	Roberts, Gary John	2597329	5992835
D	41393	2664	Harris, Dale Lindsay	2597641	5992924
D	41394	2665	Roberts, Eric Benjamin	2597667	5992975
D	41396	2671	Hanna, William James & Joan Kathleen	2597638	5992948
D	41409	2676	Stevenson, Lawrence John	2597406	5992768

D	41412	2677	Rowe, Christopher John	2597528	5992801
D	41424	2679	Richards, William John	2597643	5992827
D	41361	2682	Blackmore, John Robin Emile	2597888	5993151
D	41461	2687	Partridge, John William	2597433	5992898
D	41486	2689	Rycroft, Christopher Charles	2597663	5992880
D	41488	2690	Stebbing, Dave Leslie	2597757	5993056
D	41533	2695	Voice, Roger Charles and Susan Margaret	2597448	5993047
D	41535	2696	Glennie, David Ross & Erica Zelie	2597926	5993163
D	41651	2708	Watson, Christopher John	2597493	5992964
D	41832	2728	Mark Family Trust	2597929	5993250
D	41831	2729	Green, Colin Hedley	2597589	5992815
D	41851	2731	Zoutenbier, Wildred Henrey and Annan, Sandra	2597531	5992939
D	50034	2750	Starkey, Todd Michael	2597476	5992828
D	50198	2758	Baxter Fishing Limited	2597758	5993105
D	50470	2779	Smith, Douglas Cecil	2597699	5993087
D	51167	2860	Baynes, Gary Donald	2597464	5992810
D	60049	2868	Cameron, YM & DIA	2597656	5993081
D	60116	2871	Elkington, James Hemi	2597667	5992744
D	60117	2872	Elkington, James Hemi	2597620	5992924
D	60118	2873	Elkington, James Hemi	2597663	5992772
D	60194	2883	O'Donnell, Glen Romana	2597573	5993108
D	60722	2914	Mounsey, Robert John Clifford and Louise Grace	2597455	5993073
D	60961	2933	Smith, Douglas Cecil	2597740	5993034
D	60967	2934	Climo, Valray	2597665	5993037
D	60968	2935	Williams, Paul Edwin	2597735	5993073
D	60992	2936	Taylor, Ian Thomas	2597642	5992811
D	70087	2964	Sugrue, Paul Francis	2597430	5993132
D	70087	2965	Sugrue, Paul Francis	2597501	5993078
D	70087	2966	Sugrue, Paul Francis	2597641	5993150
D	70135	2969	Loncar, Drago and Felicity Anne	2597353	5993043
D	70293	2978	Fuller, Brian Andrew	2597654	5993011
D	70310	2980	Foster, Ronald Anthony	2597396	5992884
D	70265	2983	Gorman, Richard Stuart	2597505	5993142
D	70370	2986	Galloway, Lindsay	2597688	5993048
D	70377	2987	Woods, Brent Lyndsay	2597947	5993308
D	70939	3022	Barnett, Michael John Leonard and Adrienne Frances	2597744	5993219
E	40624	2327	Port Marlborough New Zealand Limited	2597310	5992954
E	40624	2328	Port Marlborough New Zealand Limited	2597143	5992975
E	40899	2495	Battersby, Leslie Donald	2597198	5992953
E	40903	2496	Gamble, Charles Malcolm	2597186	5992919
E	40906	2499	Wilson, Gordon James	2597254	5993019
E	40907	2500	Bean, Peter Norman	2597245	5992944
E	40992	2525	McDonald, Donald Peter	2597175	5992901
E	41019	2530	Young, Christopher Francis & Vivienne Joy	2597287	5992972
E	41027	2531	Rich, Malcolm Joseph	2597128	5993006
E	41057	2535	Cane, James Stuart	2597198	5993043
E	41082	2544	Thomas, Peter Henry & Irene Margaret	2597198	5993064
E	41121	2560	Vining, Philip Richard & Wendy Jane	2597184	5992995
E	41121	2561	Vining, Philip Richard & Wendy Jane	2597231	5993101
E	41121	2562	Vining, Philip Richard & Wendy Jane	2597250	5992982
E	41121	2564	Vining, Philip Richard & Wendy Jane	2597268	5993086
E	41121	2566	Vining, Philip Richard & Wendy Jane	2597228	5992957
E	41149	2574	Gillies, David George	2597256	5992879
E	41208	25880	Baldick, Ian Linsey	2597143	5992940
E	41282	2605	J R Cooper & Sons Limited	2597579	5993019
E	41283	2609	Oxbow Limited & Latour Trustees (Jersey) Limited	2597212	5992871
E	41283	2612	Oxbow Limited & Latour Trustees (Jersey) Limited	2597260	5992917
E	41284	2614	P Jorgensen & Sons Limited	2597228	5993039
E	41324	2627	Pearl Trust	2597188	5992876
E	41339	2635	Wilson, Alan James	2597162	5993017
E	41340	2636	Paine, Richard Francis & Susan Glenice	2597224	5992839
E	41280	2667	Gratton, Harold Richard	2597292	5992936
E	41443	2684	Davidson, Michelle Lee	2597269	5993051
E	41807	2721	Daslet, Graeme John	2597227	2993026
E	50847	2826	Wilson, Norman Edward	2597208	5992913

---

## Appendix I



---





**KEY:**

**Mooring Status**

-  Consent Granted
-  Consent Application Pending

**Category**

-  Category A
-  Category B
-  Category C
-  Category D
-  Category E



**Waikawa Bay Mooring Areas - Categories**



---

## **Appendix J**

---



Consent	Applicant	App/rep attending hearing as individual
U040564	M Coutts	Not attending
U040590	EL Tonkin & G Large	Simon Gaines
U040624	Port Marlborough New Zealand Limited	Radich Law
U040624	Port Marlborough New Zealand Limited	Radich Law
U040624	Port Marlborough New Zealand Limited	Radich Law
U040624	Port Marlborough New Zealand Limited	Radich Law
U040624	Port Marlborough New Zealand Limited	Radich Law
U040624	Port Marlborough New Zealand Limited	Radich Law
U040624	Port Marlborough New Zealand Limited	Radich Law
U040624	Port Marlborough New Zealand Limited	Radich Law
U040624	Port Marlborough New Zealand Limited	Radich Law
U040624	Port Marlborough New Zealand Limited	Radich Law
U040624	Port Marlborough New Zealand Limited	Radich Law
U040624	Port Marlborough New Zealand Limited	Radich Law
U040627	A&V Coutts	No response to approaches by Council staff
U040670	AL Crossen	Not attending
U040683	GV McCutcheon **transferred to PJ Clark 021 0271921 - letter and agenda sent to new owner **	Simon Gaines
U040843	KR Schollum **Schollum transferred to KA Denham and LR Seque – letter and agenda sent to new owner**	Simon Gaines
U040853	AL&M Partelow	Simon Gaines
U040856	EF&GE MacDonald	Simon Gaines
U040880	A&C Cadman	Simon Gaines
U040882	KJ, MJ&GK Rooney	Simon Gaines
U040889	Leo McKendry Family Trust –	30/4 @ 9.30am
U040891	AL Windleburn	Simon Gaines
U040893	GJ&JM Blair	Simon Gaines
U040896	BG Musgrove & HF Family Trust	Simon Gaines & Tabling a written statement, copies received at Council 17/3/08
U040899	LD Battersby	Simon Gaines
U040903	CM Gamble	Simon Gaines
U040905	PG Adams	Simon Gaines
U040906	RA Frost	Simon Gaines
U040906	RA Frost	Simon Gaines
U040907	PN Bean	Simon Gaines & Tabling a written statement, copies received at Council 6/3/08
U040909	DM McDonald	Simon Gaines
U040910	KC & AF Kent	Simon Gaines
U040915	AH Evers	Simon Gaines
U040919	MA&KJ Cooper	Simon Gaines
U040929	RJ Baxter & PW Broad	Simon Gaines
U040932	JA Walker	No response to approaches by Council staff
U040940	LR Hammond	Simon Gaines
U040941	J Haines	No response to approaches by Council staff
U040945	MP Lamb	Simon Gaines
U040947	BG Ratcliff	No response to approaches by Council staff
U040952	SA&GB Riach	Simon Gaines
U040980	RL&SM Sheppard	Simon Gaines
U040985	B Milson	
U040992	DP McDonald	Simon Gaines
U040996	PD Gascoigne (Mr Gascoigne advised a change of address 14/3/08. He declined a copy of the agenda and meeting notice stating that he knew of the hearing but would not b	No

	attending.)	
U041003	SM Webb	Simon Gaines
U041013	WJ Rogers	Not attending
U041019	CF&VJ Young	No response to approaches by Council staff
U041027	MJ Rich	Simon Gaines
U041037	PB&LM McMath	Simon Gaines
U041038	Baxter Fishing Limited	Simon Gaines
U041057	JS Cane	Simon Gaines
U041062	GB Evans	Simon Gaines
U041074	GB Kerrigan	Simon Gaines
U041075	MA Pickering	Simon Gaines
U041079	RA Grindrod	Simon Gaines
U041082	PH&IM Thomas	Simon Gaines
U041083	GC Allan	Simon Gaines
U041100	TD&C Woolley	Simon Gaines
U041101	EF MacDonald	Simon Gaines
U041101	EF MacDonald	Simon Gaines
U041118	MA White	Simon Gaines
U041121	Vining Shipbrokers Limited	Simon Gaines
U041121	Vining Shipbrokers Limited	Simon Gaines
U041121	Vining Shipbrokers Limited	Simon Gaines
U041121	Vining Shipbrokers Limited	Simon Gaines
U041121	Vining Shipbrokers Limited	Simon Gaines
U041121	Vining Shipbrokers Limited	Simon Gaines
U041121	Vining Shipbrokers Limited	Simon Gaines
U041121	Vining Shipbrokers Limited	Simon Gaines
U041121	Vining Shipbrokers Limited	Simon Gaines
U041121	Vining Shipbrokers Limited	Simon Gaines
U041121	Vining Shipbrokers Limited	Simon Gaines
U041126	RP Tabb	Simon Gaines
U041132	DD Houston & J Levett	Simon Gaines
U041142	BR & ML Davidson	No response to approaches by Council staff
U041149	DG Gillies	Simon Gaines
U041159	MT Devine	No response to approaches by Council staff
U041164	JR Baldwin	No response to approaches by Council staff
U041166	RA Storer	Simon Gaines
U041169	Baxter Fishing Limited	Simon Gaines
U041172	GR&JM Ganley Family Trust	Simon Gaines
U041182	Sunnyvale Motels	in process of transferring mooring, transferee advised of hearing, transfer not complete at this stage 28/4/08
U041188	LJ Gledhill	Not attending
U041196	DW Baxter	Simon Gaines
U041201	JC Dymock	Simon Gaines
U041208	IL Baldick	Simon Gaines
U041209	RH Hambleton	Simon Gaines
U041224	BR Tait	Not attending
U041246	BJ&BA Turner	Simon Gaines
U041249	BA Walker	No response to approaches by Council staff
U041268	KI Kirk ** Kirk transferred to Stanley B – letter and agenda sent to new owner**	Not attending
U041275	OF Yemm	Simon Gaines
U041277	QG Taylor Family Trust	No response to approaches by Council staff
U041277	QG Taylor Family Trust	No response to approaches by Council staff
U041280	HR Gratton	Simon Gaines
U041282	JR Cooper & Sons Ltd	Simon Gaines

U041282	JR Cooper & Sons Ltd	Simon Gaines
U041283	Oxbow Ltd & Latour Trustees (Jersey) Ltd	Simon Gaines
U041283	Oxbow Ltd & Latour Trustees (Jersey) Ltd	Simon Gaines
U041283	Oxbow Ltd & Latour Trustees (Jersey) Ltd	Simon Gaines
U041283	Oxbow Ltd & Latour Trustees (Jersey) Ltd	Simon Gaines
U041283	Oxbow Ltd & Latour Trustees (Jersey) Ltd	Simon Gaines
U041283	Oxbow Ltd & Latour Trustees (Jersey) Ltd	Simon Gaines
U041284	P Jorgensen & Sons Ltd	Simon Gaines
U041284	P Jorgensen & Sons Ltd	Simon Gaines
U041292	AP Jessop	Submitting written statement – not yet received at start of hearing ???
U041301	JR, Hillgrove	Simon Gaines?
U041306	MJ&JV Kennedy	No response to approaches by Council staff
U041309	GR&CK Lloyd	Tabling written statement, copies received at Council 21/4/08
U041324	Pearl Trust	No response to approaches by Council staff
U041325	DW Baxter	Simon Gaines
U041326	WF Sanders	Simon Gaines
U041328	MBJ Kerr	Simon Gaines
U041329	MJ Mills	Simon Gaines
U041331	DJ Vile	No response to
U041339	AJ Wilson	Simon Gaines possibly appearing on behalf of? 30/4 @ 9.00am
U041340	RF&SG Paine	Richard Paine presenting statement – see schedule
U041341	EJ Pickering – Transferred to PL & LJ Datson – mtg notice and agenda sent to new applicant.	Simon Gaines
U041345	GM&CI Wilkins	Not attending
U041347	OL Murch	Simon Gaines
U041349	AJ&KB Stevenson	Simon Gaines
U041353	PB Dempsey	Simon Gaines & Tabling written statement, copies received at Council 17/3/08
U041355	40 degrees South Boat building and Cruising Club Inc	Simon Gaines
U041357	BD&CM Knight	No response to approaches by Council staff
U041361	JRE&PH Blackmore	Simon Gaines
U041362	D Loncar	Simon Gaines
U041364	GS Olsen	Simon Gaines
U041370	D Kirk	Yes
U041373	DW Baxter	Simon Gaines
U041374	Fairwater Trust (Trustees: TW & RJ Parsons)	Tabling a written statement, copies already received at Council 17/3/08
U041376	IM Love Family Trust (Trustees: VT Ede & P Radich)	Simon Gaines
U041379	WS Penno	Tentative 30/4 @ 2.00pm although is present at start of hearing on 28/4/08
U041385	Baxter Fishing Limited	Simon Gaines
U041389	DA Mahony	No response to approaches by Council staff
U041391	GJ Roberts	No response to approaches by Council staff
U041393	DL Harris	Simon Gaines

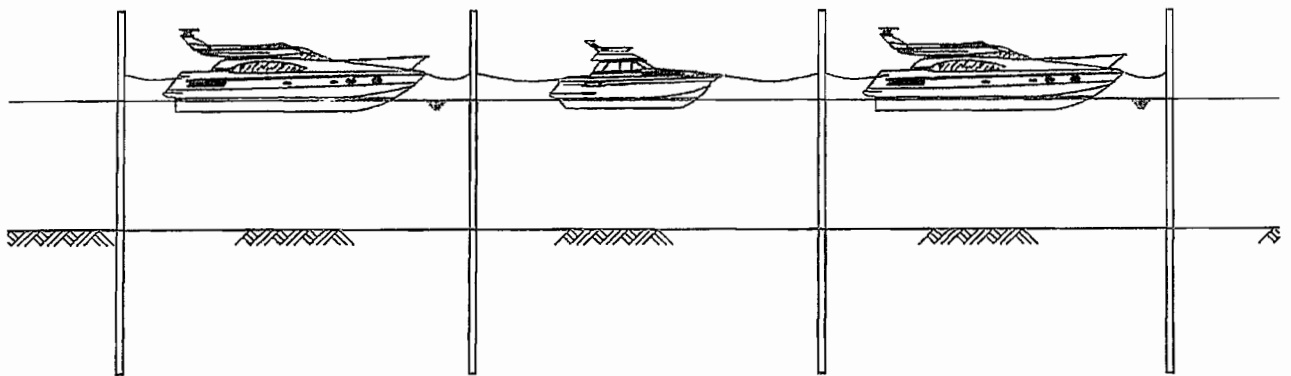
U040624-Waikawa Moorings Hearing Attendance

U041394	EB Roberts	Simon Gaines
U041396	WJ&JK Hanna	Simon Gaines
U041409	LJ Stevenson	Simon Gaines
U041412	CJ Rowe	Not attending
U041424	WJ Richards	Not attending
U041443	OS Dunne	Simon Gaines
U041461	JW Partridge	Simon Gaines
U041486	CC Rycroft	Simon Gaines
U041488	DL Stebbings	Simon Gaines
U041533	RC&SM Voice	Simon Gaines
U041535	EV McConnell	30/4 @12.00
U041651	CJ Watson	Simon Gaines
U041807	GJ Dasler	Simon Gaines
U041831	CH Green	Not attending
U041832	Mark Family Trust	Simon Gaines
U041841	PK Curd	Simon Gaines
U041851	WH Zoutenbier & S Annan	Simon Gaines
U041960	RT Turner	Simon Gaines
U050034	TM Starkey	Simon Gaines
U050198	Baxter Fishing Limited	Simon Gaines
U050207	B&L Willemsen	No response to approaches by Council staff
U050430	RH Mitchell	Simon Gaines
U050470	JG&LC Davies	Simon Gaines
U050489	AC Douthett	Not attending
U050847	NE Wilson	No response to approaches by Council staff
U051167	GD Baynes	Simon Gaines
U060049	LB&K Turner	Simon Gaines
U060116	JH Elkington	Refer U060118
U060117	JH Elkington	Refer U060118
U060118	JH Elkington	E Chapman-Cohen or C Elkington to speak on behalf of J Elkington (Estate) – appearing 9.00am Friday 2 May 2008
U060194	GR O'Donnell	No response to approaches by Council staff
U060587	NW Unwin	Simon Gaines
U060722	RJC&LG Mounsey	Simon Gaines
U060961	RMJ McClimont	30/4 @ 12.30
U060967	V Climo	Simon Gaines
U060968	MD King ** King transferred to <u>P E Williams</u> – letter and agenda sent to Paul**	30/4 @ 10.00am But also on list of Simon Gaines
U060992	IT Taylor	Not attending
U070078	BE Chapman-Cohen	Simon Gaines
U070087	P Sugrue	Simon Gaines possibly appearing on behalf of.
U070087	P Sugrue	A/A
U070087	P Sugrue	A/A
U070134	CGS Gorman	Simon Gaines
U070135	D&FA Loncar	Simon Gaines
U070293	BA Fuller	Represented by Coastline Solutions Ltd
U070310	RA Foster	Simon Gaines
U070343	MD Tierney	Simon Gaines possibly appearing on behalf of.
U070370	WK Moore **Moore transferred to Baxter Fishing Company Ltd – letter and agenda already sent to new owner**/ Baxter Fishing Company Ltd transferred to I Ryan. Mr Ryan declined offer to send a copy of agenda.	Not attending
U070377	BL Woods	Simon Gaines
	R & L V Crawshaw (Submitters)	Not attending
	Ngati Rarua Iwi Trust	Yes

---

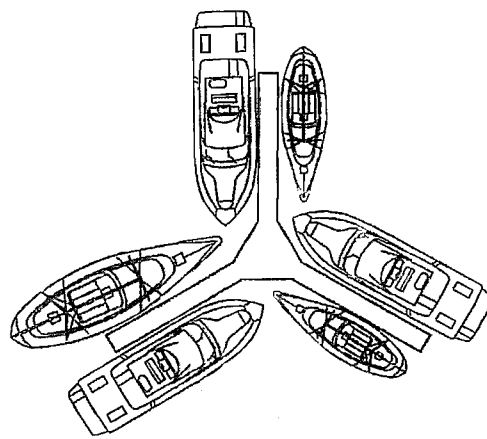
## Appendix K

---

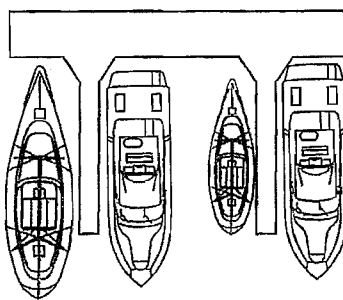


FORE AND AFT PILE MOORING ARRANGEMENT

FIGURE 4



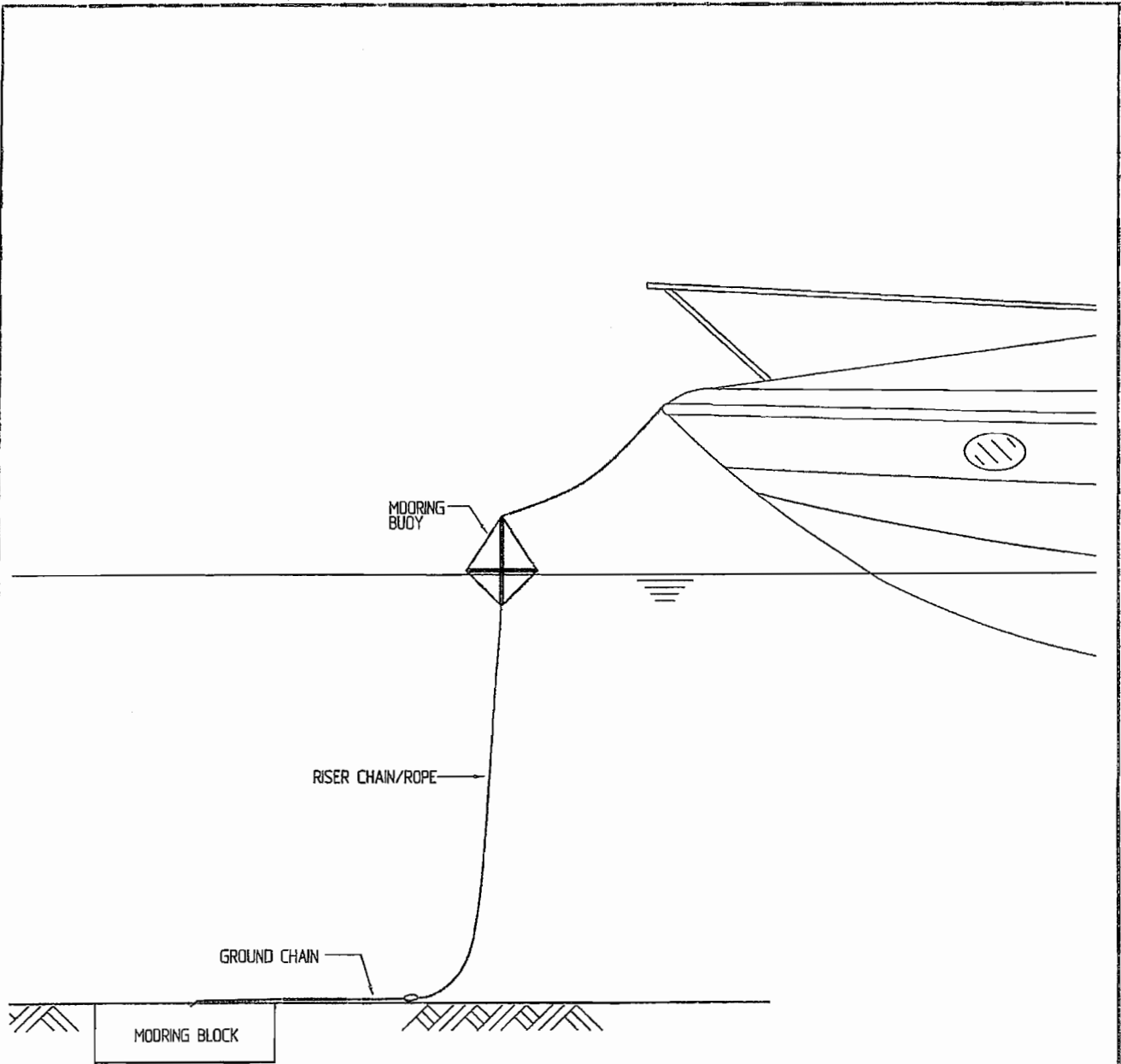
STAR MOORING



H MOORING

CLUSTER MOORING ARRANGEMENTS

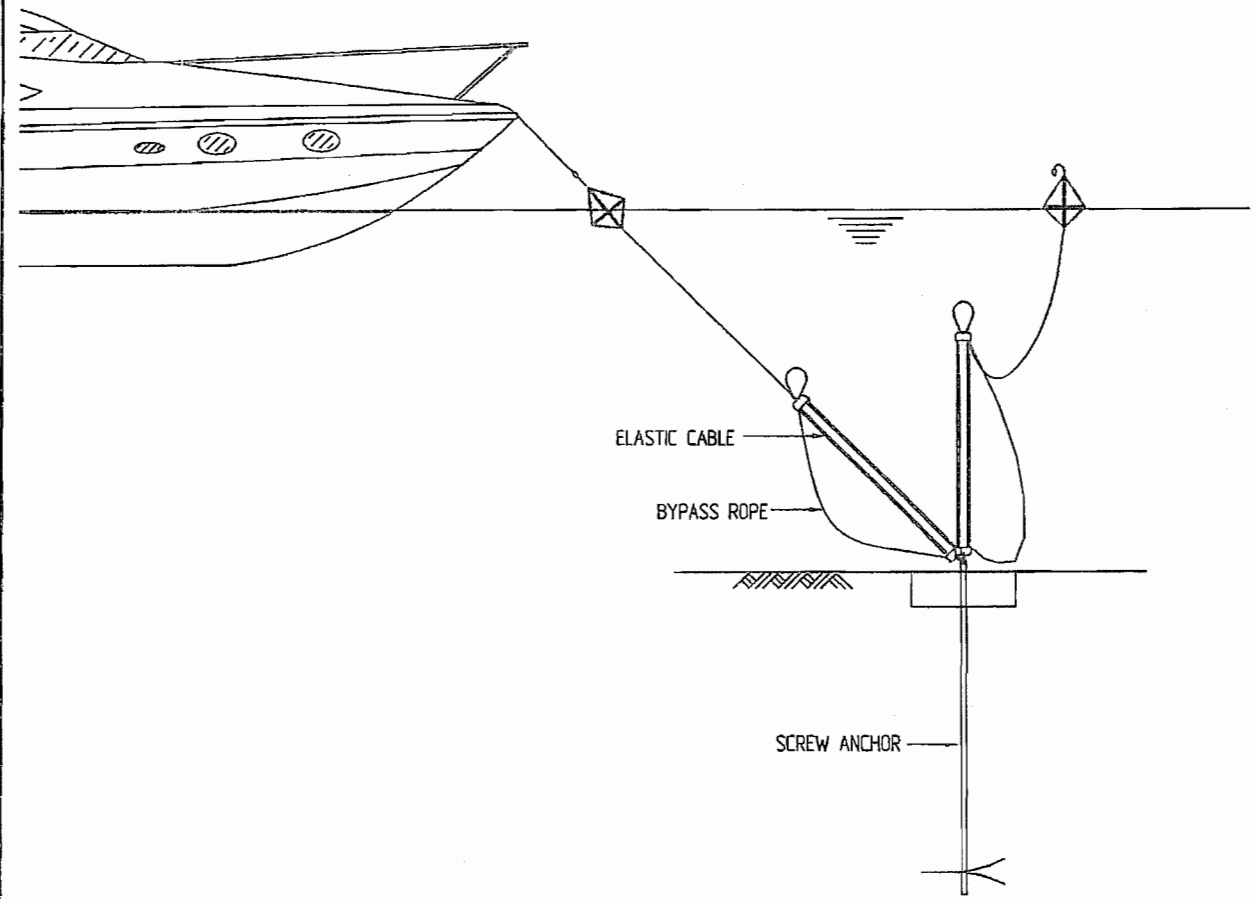
FIGURE 5



CONVENTIONAL SWING MOORING ARRANGEMENT

FIGURE 6





SEAFLEX MOORING ARRANGEMENT

FIGURE 7